

Commander³ Series Colored Lens Signals

Applications

The Commander³ Series Colored Lens Signals are wall mount, low profile strobes or horn/strobes that offer dependable audible and visual alarms for warning and emergency notification. Applications include emergency communication, severe weather, emergency response and many more.

The GE3 Colored Lens Series are 24VDC units available in lens colors of amber, blue, green and red. The Series offers tamperproof field selectable candela options of 15, 30, 60, 75, and 110 candela.

The Commander³ Colored Lens Series has a minimal operation current and has a minimum flash rate of 1Hz regardless of input voltage.

The Commander³ Colored Lens Series is shipped with a die cast 4" mounting bracket which incorporates the popular Super-Slide[®] feature that allows the installer to easily pre-wire the system and test for supervision. The product also features a locking mechanism that secures the signal to the bracket without showing any screws.

The GE3 Colored Lens Series also features the Checkmate[®] - Instant Voltage Verification Feature which allows the installer to check the voltage drop, current draw and match it against the blue print.

The Commander³ Colored Lens Series are ANSI/UL1638 and ANSI/UL464 listed. The Series is also compliant with the rated candela per the polar dispersion requirements of ANSI/UL 1971. Therefore, the ANSI/UL 1971 polar plot is equal to the candela listed on the product, no derating was required. The Series is warranted for three years from date of purchase.

Standard Features

- Nominal voltage 24VDC
- Tamperproof field selectable candela options of 15, 30, 60, 75, and 110
- Unit Dimensions: 5" (12.7 cm) high x 4.5" (11.43 cm) wide x 2.5" (6.35 cm) deep
- Lens colors available: amber, blue, green and red
- Super-Slide[®] Bracket - Ease of Supervision Testing
- Checkmate[®]- Instant Voltage Verification
- Synchronize strobe and/or horn with Gentex AVSM Control Module
- Prewire entire system, install mounting bracket, then install signals
- Input terminals accept 12 to 18 AWG
- Switch selection for high or low dBA
- Switch for chime, whoop, mechanical and 2400Hz tone
- Switch for continuous or temporal 3 (not available on whoop tone)
- Tamperproof re-entrant grill
- Surface mount with the GSB (Gentex Surface Mount Box)
- Silence audible while visual appliance will remain flashing (for use in accepted jurisdictions)
- Faceplate available in red or off-white

GEC3/GES3 Colored Lens SERIES



Lens available in Amber, Blue, Green and Red Colors Product Listings



- ANSI/UL 464 & ANSI/UL 1638 Listed
- CSFM: 7135-0569:135 (Horn/Strobes)
7135-0569:136 (Strobes)

Patents

- 7,375,617 May 20, 2008

Product Compliance

- NFPA 72
- IBC/IFC/IRC
- Quality Management System is certified to: ISO 9001:2008



NOTE: ANSI/UL 1971 is not applicable to emergency communications devices, but readings were obtained using the measurement procedure specified under ANSI/UL 1971.

GES3 Colored Lens Strobe, Selectable Candela Low Profile

Model Number	Part Number	Lens Color	Nominal Voltage	Candela (ANSI/UL 1638)
GESA24PWR	904-1335-002	Amber	24 VDC	15, 30, 60, 75, 110
GESA24PWW	904-1336-002	Amber	24VDC	15, 30, 60, 75, 110
GESB24PWR	904-1337-002	Blue	24VDC	15, 30, 60, 75, 110
GESB24PWW	904-1338-002	Blue	24VDC	15, 30, 60, 75, 110
GESG24PWR	904-1339-002	Green	24VDC	15, 30, 60, 75, 110
GESG24PWW	904-1340-002	Green	24VDC	15, 30, 60, 75, 110
GESR24PWR	904-1341-002	Red	24VDC	15, 30, 60, 75, 110
GESR24PWW	904-1342-002	Red	24 VDC	15, 30, 60, 75, 110

GEC3 Colored Lens Horn/Strobe, Selectable Candela Low Profile

Model Number	Part Number	Lens Color	Nominal Voltage	Candela (ANSI/UL 1638)	Reverberant dBA at 10ft. per ANSI/UL 464	In Anechoic Room dBA at 10ft.
GECA24PWR	904-1327-002	Amber	24 VDC	15, 30, 60, 75, 110	62-82	100
GECA24PWW	904-1328-002	Amber	24 VDC	15, 30, 60, 75, 110	62-82	100
GECB24PWR	904-1329-002	Blue	24 VDC	15, 30, 60, 75, 110	62-82	100
GECB24PWW	904-1330-002	Blue	24 VDC	15, 30, 60, 75, 110	62-82	100
GECG24PWR	904-1331-002	Green	24 VDC	15, 30, 60, 75, 110	62-82	100
GECG24PWW	904-1332-002	Green	24 VDC	15, 30, 60, 75, 110	62-82	100
GECR24PWR	904-1333-002	Red	24 VDC	15, 30, 60, 75, 110	62-82	100
GECR24PWW	904-1334-002	Red	24 VDC	15, 30, 60, 75, 110	62-82	100

Model Designations:

"P" = Plain (no lettering)

"W" = Wall Mount

"R" = Red Faceplate

"W" = Off-White Faceplate

Lens Colors: "A" = Amber

"B" = Blue

"G" = Green

"R" = Red

ALERT bezel available for order

AGENT bezel available for order

GE3 Amber Lens Strobe Current Ratings					
Candela	15cd	30cd	60cd	75cd	110cd
UL Max ¹	47mA	64mA	113mA	145mA	178mA

GE3 Blue, Green and Red Lens Strobe Current Ratings					
Candela	15cd	30cd	60cd	75cd	110cd
UL Max ¹	105mA	130mA	203mA	243mA	310mA

Horn Mode	Horn Decibel Levels		Horn Current Ratings
	Minimum SPL at 10 feet per ANSI/UL 464 (HIGH)	Minimum SPL at 10 feet per ANSI/UL 464 (LOW)	Regulated 24VDC Max. Operating at High Setting
Temp 3 2400Hz	78 dBA	71* dBA	28mA
Temp 3 Mechanical	76 dBA	70* dBA	25mA
Temp 3 Chime	70* dBA	66* dBA	15mA
Continuous 2400Hz	81 dBA	74* dBA	28mA
Continuous Mechanical	80 dBA	72* dBA	25mA
Continuous Chime	70* dBA	66* dBA	15mA
Whoop	82 dBA	69* dBA	56mA

NOTES:

- Operating temperature: 32° to 120°F (0° to 49°C). The GE3 Colored Lens Series is **not** listed for outdoor use.
 - For nominal and peak current across ANSI/UL regulated voltage range for filtered DC power and unfiltered (FWR [Full Wave Rectified]) power, see installation manual.
 - Gentex does not recommend using a coded or pulsing signaling circuit with any of our strobe products (see Technical Bulletin Number 014).**
 - The sound output for the temporal 3 tone is rated lower since the time the horn is off is averaged into the sound output rating. While the horn is producing a tone in the temporal 3 mode its sound pressure is the same as the continuous mode.
- * Operating the horn in this mode at this voltage will result in not meeting the minimum ANSI/UL 464 reverberant sound level required for public mode fire protection service. These settings are acceptable only for private mode fire alarm use. Use the high dBA setting for public mode application (not applicable when using the chime tone. The chime tone is always private mode).

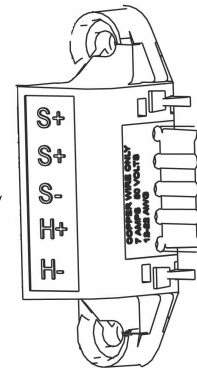
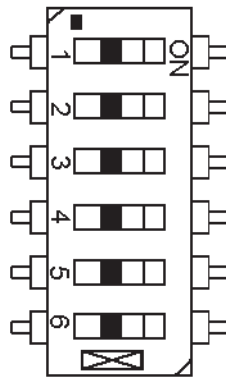
¹ RMS current ratings are per ANSI/UL average RMS method. ANSI/UL max current rating is the maximum RMS current within the listed voltage range (16-33VDC for 24VDC units). For strobes the UL max current is usually at the minimum listed voltage (16VDC for 24VDC units). For audibles the max current is usually at the maximum listed voltage. For unfiltered FWR ratings, see installation manual.

Tone Switch Locations

TONE	SWITCH POSITION		
	3	4	5
Mechanical Temporal 3	ON	ON	ON
Mechanical - Continuous	OFF	ON	ON
2400Hz - Temporal 3	ON	OFF	ON
2400Hz - Continuous	OFF	OFF	ON
Chime - Temporal 3	ON	ON	OFF
Chime - Continuous	OFF	ON	OFF
Whoop	ON	OFF	OFF
Whoop	OFF	OFF	OFF

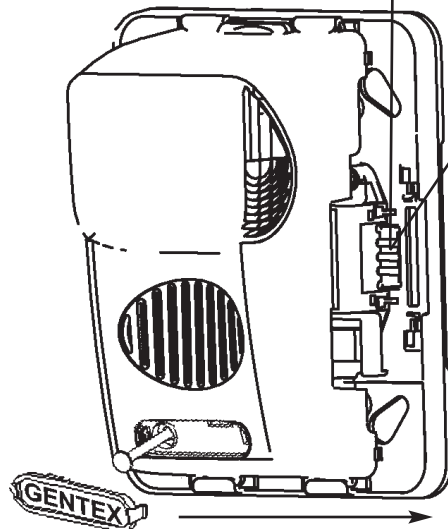
NOTE:

- Switch Positions 1 and 2 in the OFF position to select isolated horn and strobe power inputs
- Switch Position 6 ON = HIGH dBA
- Switch Position 6 OFF = LOW dBA



Gentex Super-Slide® Mounting Bracket

Allows the installer to pre-wire the system, test for system supervision, remove the signal head until occupancy, switch out Gentex signals without changing mounting brackets and has locking edge connector for snap-in-place installation.



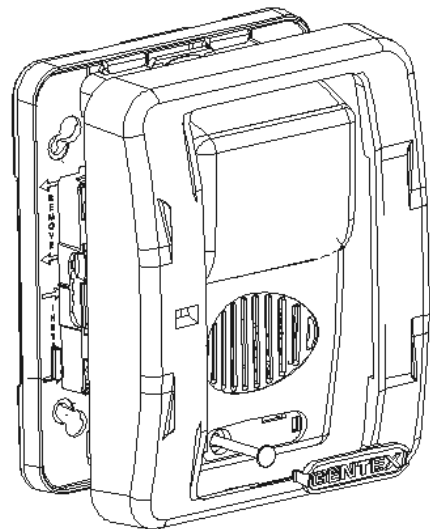
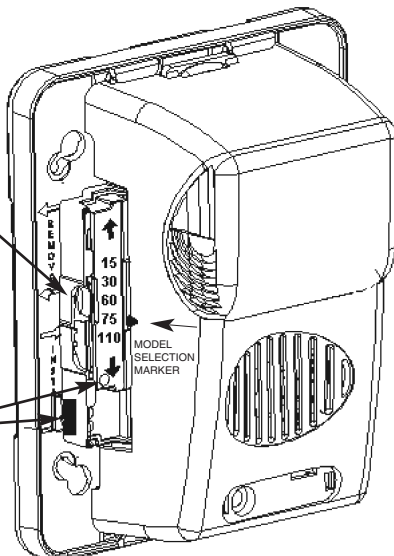
Gentex Checkmate® Instant Voltage Verification

It is often necessary to confirm the voltage drop along a line of devices. The access holes are provided in the back of the terminal block to allow the voltage to be measured directly without removing the device. Typically this would be done at the end of the line to confirm design criteria. Most measurements will be taken using the S+ and S- locations although access is provided to other locations.

NOTE: Care should be taken to not short the test probes.

Candela selection slider switch. Depress center and slide switch to desire brightness level.

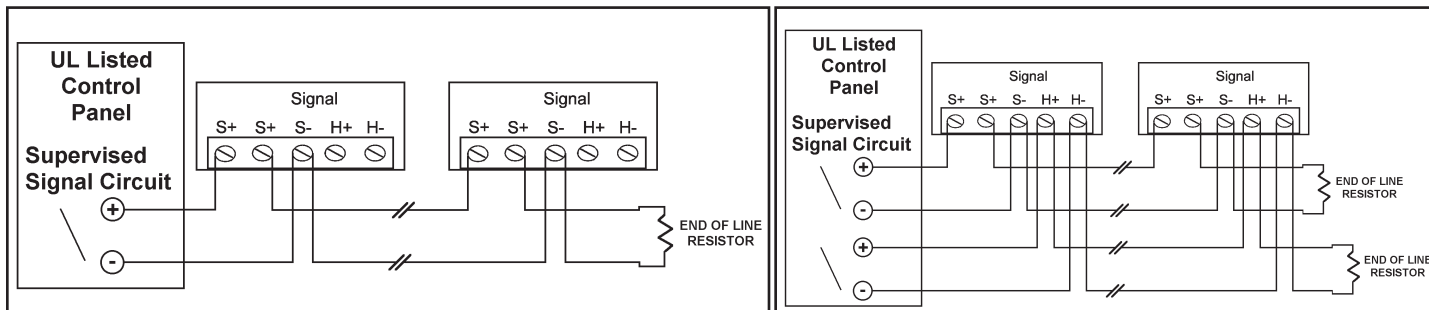
Break off pin and insert into hole at the bottom of the selector to lock candela setting. Signal must be removed from bracket and pin pushed forward from backside out of hole to change candela.



To remove bezel, grip both sides of bezel and pull in a downward and outward motion.

GEC3/GES3 Colored Lens S E R I E S

Conventional Wiring Diagrams for Colored Lens Notification Series



NOTES:

- All strobes are designed to flash as specified with continuous applied voltage. Strobes should not be used on coded or pulsing signaling circuits. However, use of the Gentex AVSM control module or Gentex synchronization protocol is permitted to synchronize the strobe, horn and/or mute the horn. See Technical Bulletin 014 for additional information.
- **FOR SYNCHRONIZATION WIRING INFORMATION, REFERENCE AVSM CONTROL MODULE DATA SHEET (551-0031) AND/OR AVSM CONTROL MODULE MANUAL (550-0284) FOR SYNCHRONIZATION MODULE WIRING DIAGRAMS. AVSM CONTROL MODULE DATA SHEET AND MANUAL CAN BE OBTAINED AT <http://www.gentex.com> OR CALL GENTEX CORPORATION AT 1-800-436-8391.**

Architect & Engineering Specifications

The audible and/or visible signal shall be Gentex GE3 Colored Lens Series or approved equal and shall be listed by Underwriters Laboratories Inc. per ANSI/UL 1638 and ANSI/UL 464 and shall have compliance with the polar dispersion requirements of ANSI/UL 1971. The notification appliance shall also be listed with the California State Fire Marshal (CSFM).

The notification appliance (combination audible/visible) shall produce a peak sound output of 100dBA or greater as measured in an anechoic chamber. The signaling appliance shall also have the capability to silence the audible signal while leaving the visible signal energized with the use of a single pair of power wires. Additionally, the user shall be able to select either continuous or temporal tone output with the temporal signal having the ability to be synchronized.

Unit shall be capable of being installed so that any unauthorized attempt to change the candela setting will result in a trouble signal at the fire alarm control panel.

The audible/visible and visible signaling appliance shall also maintain a minimum flash rate of 1Hz or up to 2 Hz regardless of power input voltage. The appliance shall have an operating current of 74mA or less at 24 VDC for the 15Cd strobe circuit.

The appliance shall be polarized to allow for electrical supervision of the system wiring. The unit shall be provided with a mounting bracket with terminals with barriers for input/output wiring and be able to mount to a single gang or double gang box or double workbox without the use of an adapter plate. The unit shall have an input voltage range of 16-33 volts with either direct current of full wave rectified power for 24 volt models.

The appliance shall be capable of testing supervision without disconnecting wires. Also the appliance shall be capable of mounting to a surface back box. The unit shall also be able to verify voltage at the unit without removing unit.

24 units per carton
28 pounds per carton

GENTEX CORPORATION

Fire Protection Products Group • www.gentex.com
10985 Chicago Drive • Zeeland, Michigan 49464
616.392.7195 • 1.800.436.8391 • 616.392.4219 Fax

Gentex Corporation reserves the right to make changes to the product data sheet at their discretion.

Important Notice:

These materials have been prepared by Gentex Corporation ("Gentex") for informational purposes only, are necessarily summary, and are not purposed to serve as legal advice and should not be used as such. Gentex makes no representations and warranties, express or implied, that these materials are complete and accurate, up-to-date, or in compliance with all relevant local, state and federal laws, regulations and rules. The materials do not address all legal considerations as there is inevitable uncertainty regarding interpretation of laws, regulations and rules and the application of such laws, regulations and rules to particular fact patterns. Each person's activities can differently affect the obligations that exist under applicable laws, regulations or rules. Therefore, these materials should be used only for informational purposes and should not be used as a substitute for seeking professional legal advice. Gentex will not be responsible for any action or failure to act in reliance upon the information contained in this material.

551-0045-02