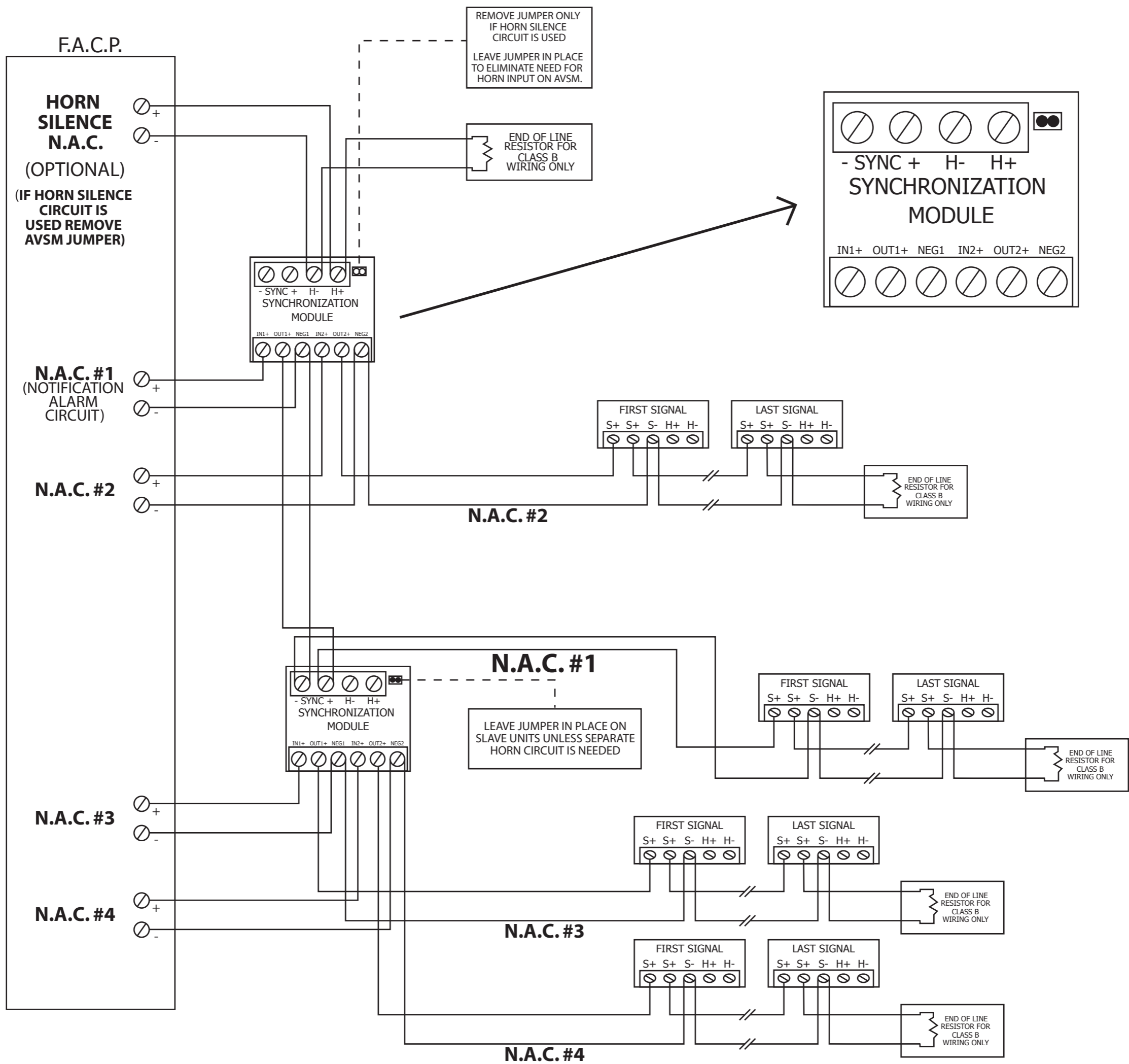


Wiring for Multiple CLASS B Circuits and Use of a Slave Module



NOTE: Crossing lines DO NOT Indicate Connections