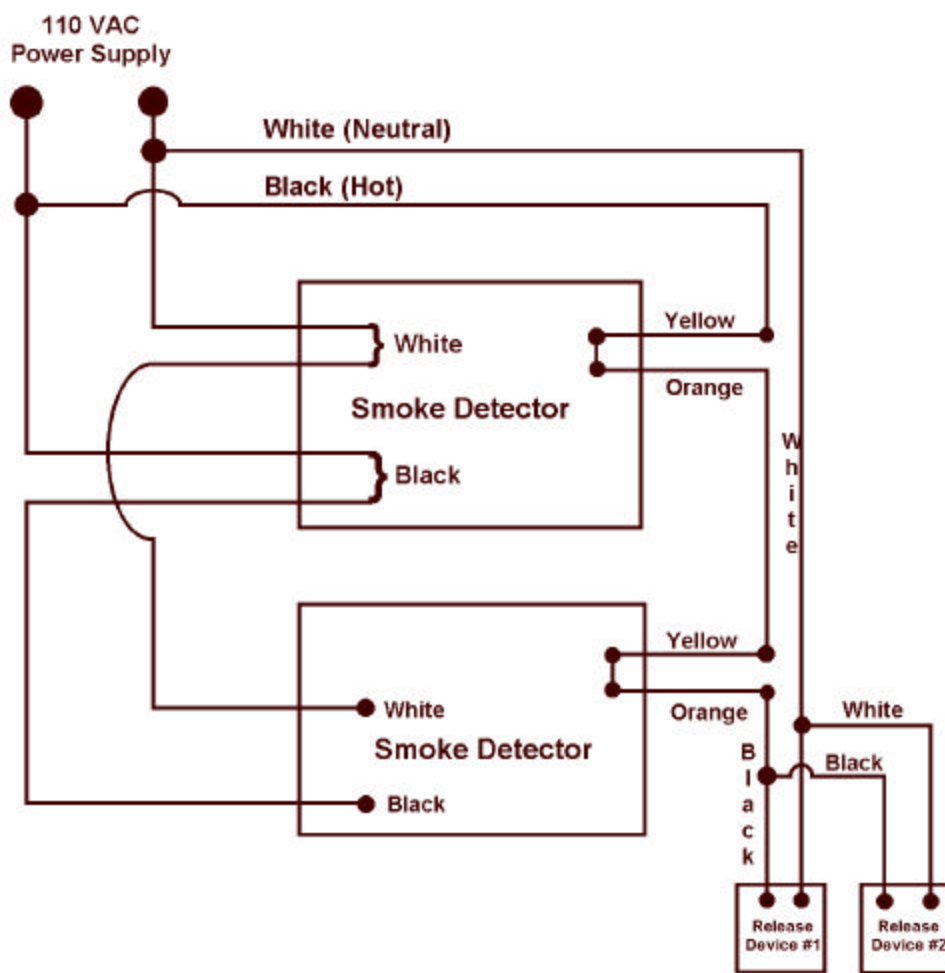


Product Update: Proper Wiring of Gentex 8100 Series Smoke Detector for Releasing Devices.

The 8100 Series System Smoke Detector can be used for releasing devices such as fire doors, elevator recall, smoke dampers and any other type of releasing product. The 8100 Smoke Detector comes standard with a set of dry form A and form C contacts. Both sets of contacts will transfer state when the unit goes into alarm. The contacts are rated at 120 volts with 0.5 amps and at 24 volts with 1 amp.

In the two diagrams shown are the different ways the 8100 Smoke Detector can be wired. Diagram #1 represents the normally closed configuration for use when the release device(s) need to have continuous power.



NOTE: The blue wire must be capped off when wiring for closed contacts.

Diagram #2 represents the normally open configuration for use when the release device(s) needs to become operational when the smoke detector goes into alarm.

