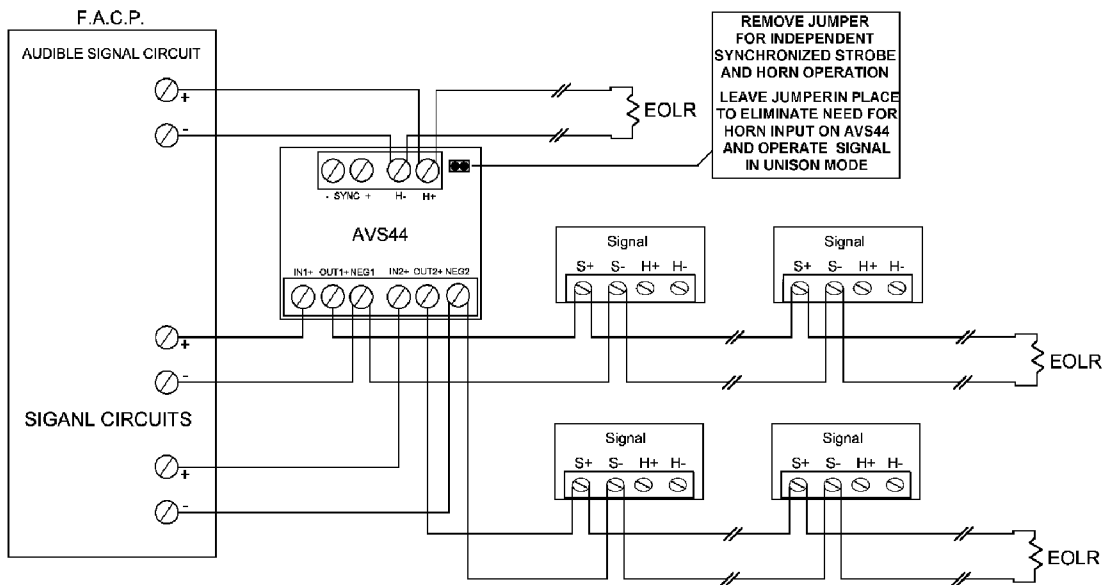


ALTERNATE APPLICATIONS FOR GENTEX CONTROL MODULES

When using the model AVS44 control module (manufactured after September 1, 1998), it is possible to synchronize two class B circuits as well as a single class A circuit with a single control module. When using the AVS44 control module with a class B circuit, terminal set number one must be used as the control module derives its power from this point. The wiring diagram below shows two class B circuits connected to a single module. Each class B circuit is capable of handling 3A. This allows for two zones to be synchronized together. The temporal horn may be silenced while the strobes remain energized when only using two wires when the signals are connected as shown below. If this feature is not necessary, the jumper on the control module must be inserted and the wires to the H+ and H- terminal can be eliminated.

WIRING DIAGRAM FOR DUAL CLASS B CIRCUITS WITH A SINGLE AVS44 CONTROL MODULE



USING THE ZMS4 AS A TEMPORAL PATTERN GENERATOR

When using signals that generate a continuous tone such as the GX90/GX90S and the GMH/GMS Series, a temporal tone may be imposed onto the signals by using the ZMS4 module. When wired as shown below, the ZMS4 becomes a temporal pattern generator. Note: The power supplied to signals with strobes must have separate power circuits for the horn and strobe circuits. Strobes will not operate properly if powered from a coded supply.

